

OPTIONAL 4TH WHEEL MOUNTING INSTRUCTIONS

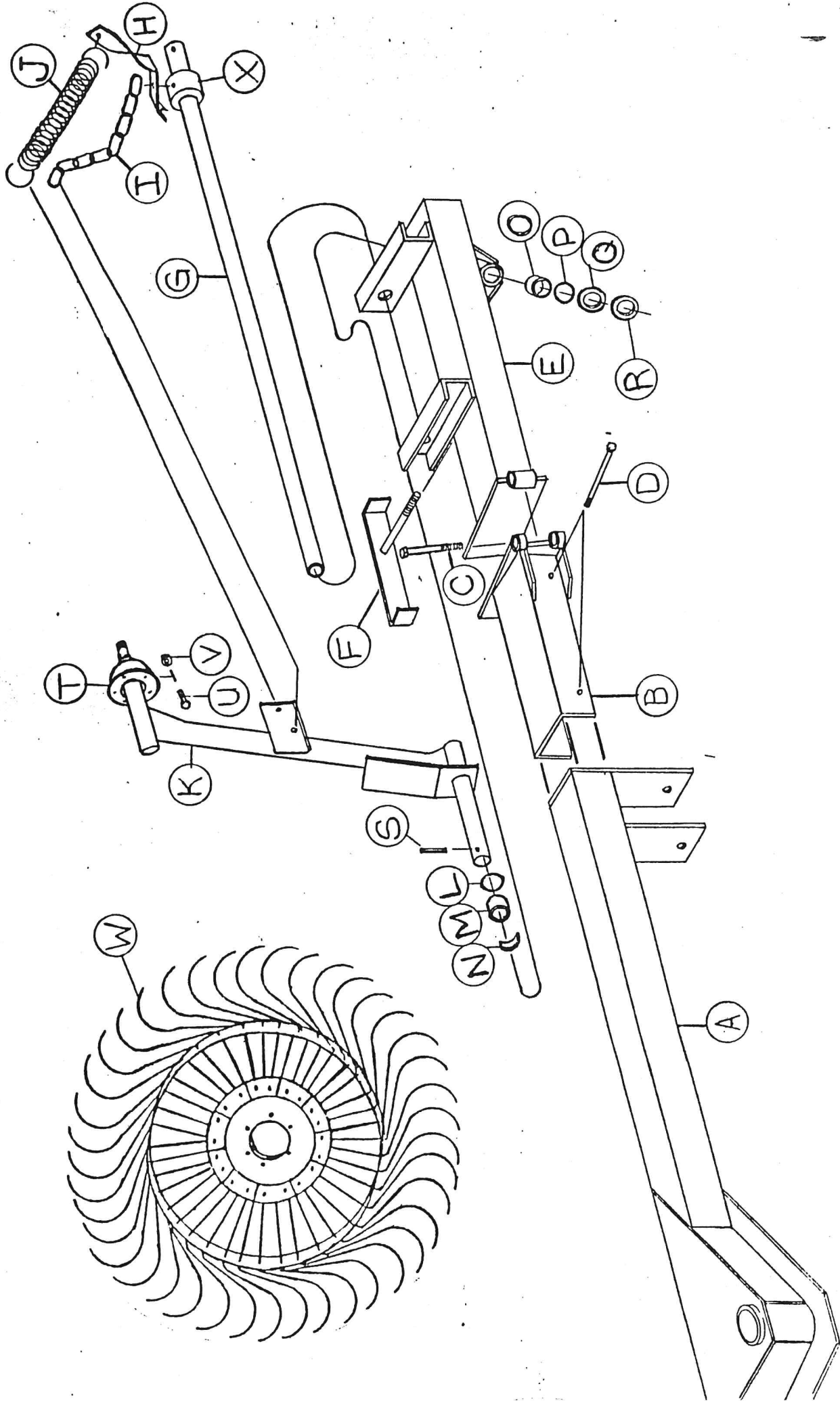
THE HAYMACHINE II OPTIONAL 4TH WHEEL REQUIRES A MINIMUM OF ASSEMBLY.

TO FINISH ASSEMBLY OF THE OPTIONAL 4TH WHEEL, YOU NEED TO BOLT RAKE WHEEL (W) TO HUB (T), (SEE ILLUSTRATION SHEET) USING 10MM X 25MM BOLTS (U) AND 10MM NUTS (V).

TO MOUNT ASSEMBLED 4TH WHEEL OPTION TO HAYMACHINE II, SLIDE BRACKET (B) OVER HAYMACHINE BEAM (A). BOLT WITH (2) 3/8" X 4" BOLTS (D) AND 3/8" NUTS.

LATCH BRACKET (F) IS USED TO LOCK EXTENSION OPEN.

ILLUSTRATION SHEET ALSO INCLUDES A BREAKDOWN OF PARTS, FOR ORDERING.



OPTIONAL 4TH WHEEL PARTS LIST

QUANTITY	LETTER#	PART #	DESCRIPTION
1	A	T230	RAKE BEAM
1	B	T249	EXTENSION BRKT.
1	C	RG174	EXTENSION BOLT
2	D	T253	EXTENSION BOLT
1	E	T251	EXTENSION ARM
1	F	T250	LATCH BRACKET
1	G	T248	LIFT PIPE
1	H	BFR256	SPRING BRACKET
1	I	BFR140	CHAIN
1	J	BFR138	SPRING
1	K	T231	WHEEL ARM
1	L	S99	"O" RING
1	M	G16	BUSHING
1	N	BFR230	SPACER
1	O	G16	BUSHING
1	P	S99	"O" RING
1	Q	BFR221	POLY WASHER
1	R	BFR229	STEEL WASHER
1	S	3G22	ROLL PIN
1	T	BFR32	HUB
6	U	T168	HUB BOLT
6	V	T166	HUB NUT
1	W	BFR31	RAKE WHEEL
1	X	BFR82	PIPE CLAMP